

**MORE POWER - LESS SPACE™**



# unigy II

*Tomorrow's energy systems...today*

## **SPACESAVER™ SYSTEMS**



### **INTERLOCK™ MODULE**

*Module requires only front access bolts for mounting.*

### **NON-INTERLOCK MODULE**

*Module has front and rear access bolts for mounting.*



QUALITY SYSTEM  
CERTIFIED  
**ISO 9001**  
**ISO/TS 16949**  
ENVIRONMENTAL  
SYSTEM CERTIFIED  
**ISO 14001**

Made in  
U.S.A.



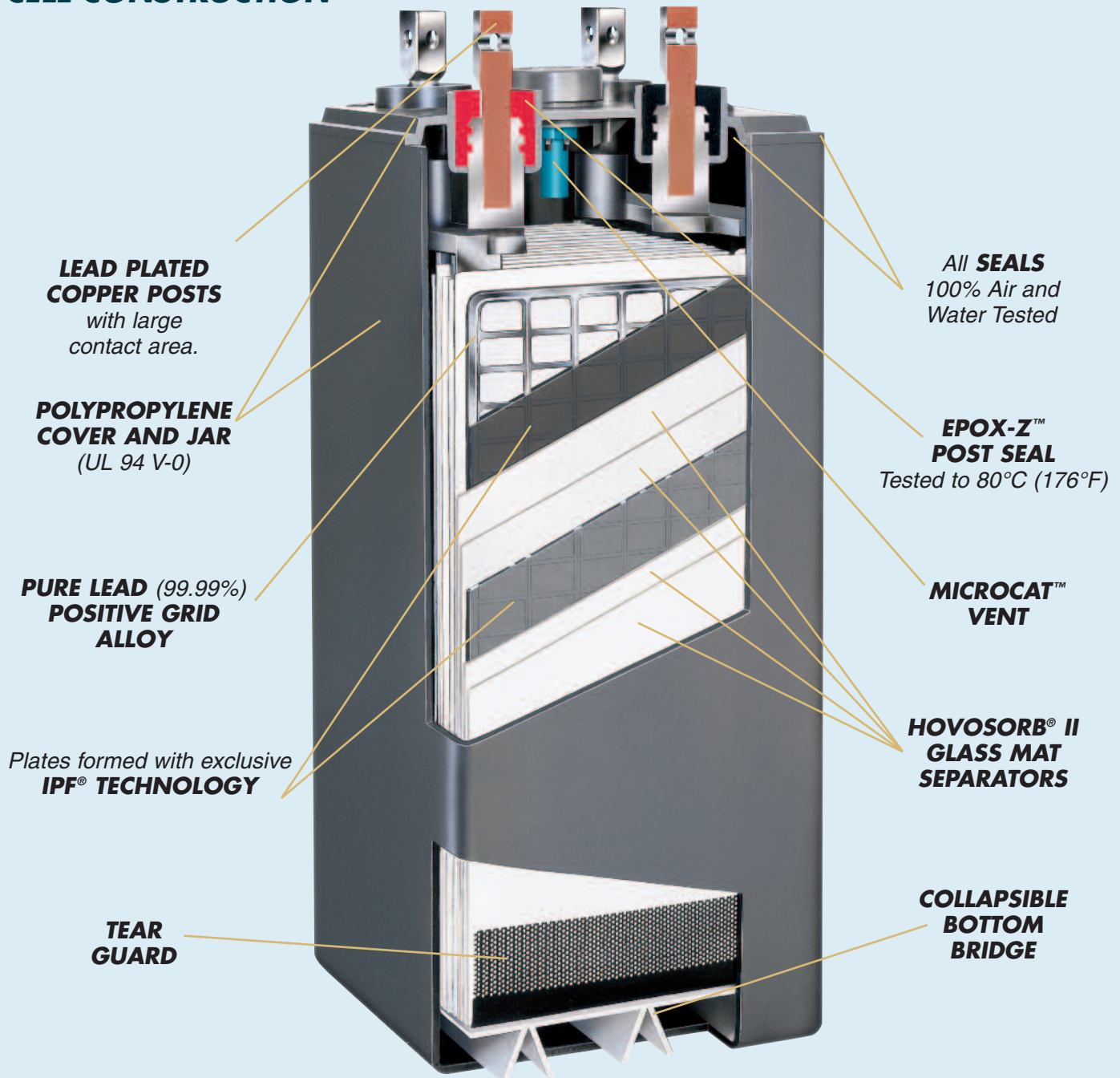
## NON-INTERLOCK & INTERLOCK™ MODULES

# SPACESAVER™ SYSTEMS

**DEKA UNIGY II SPACESAVER™ BATTERIES** are constructed using the finest quality materials and state-of-the-art manufacturing techniques and are known for their high reliability and superior performance. This line of batteries utilizes a smaller footprint to save space while providing optimal power. The new reduction in space enables less restriction for ground and vertical space confinements and meets UBC 97 Zone 4 (Interlock™ only) specifications, certified up to 8 modules high. Assembly is quick and easy with a simplified, yet advanced layout configuration and "two-way" post design allowing quick connector assembly and optimized current transfer.

**DEKA UNIGY II SPACESAVER™ BATTERY SYSTEMS** are ideal for a variety of applications: telecommunications, switchgear control, cellular radio, renewables, railroad signs/communications and uninterruptible power sources (UPS).

### CELL CONSTRUCTION



# SYSTEM CONFIGURATIONS

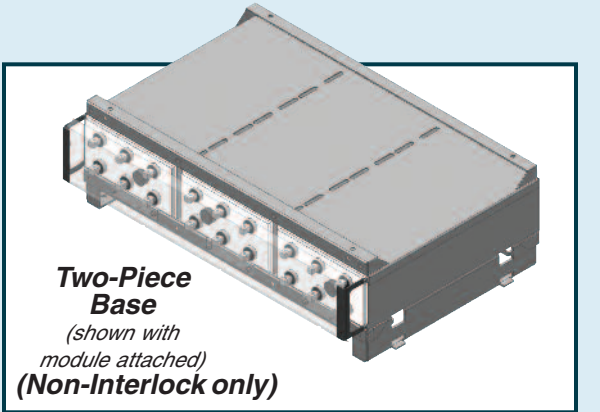
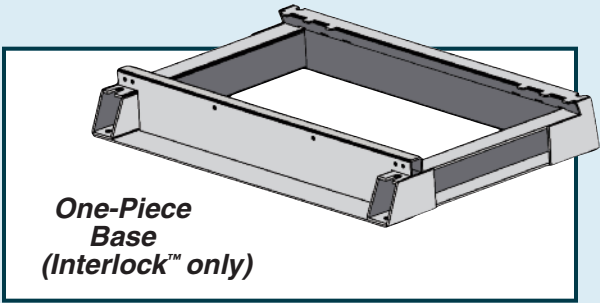
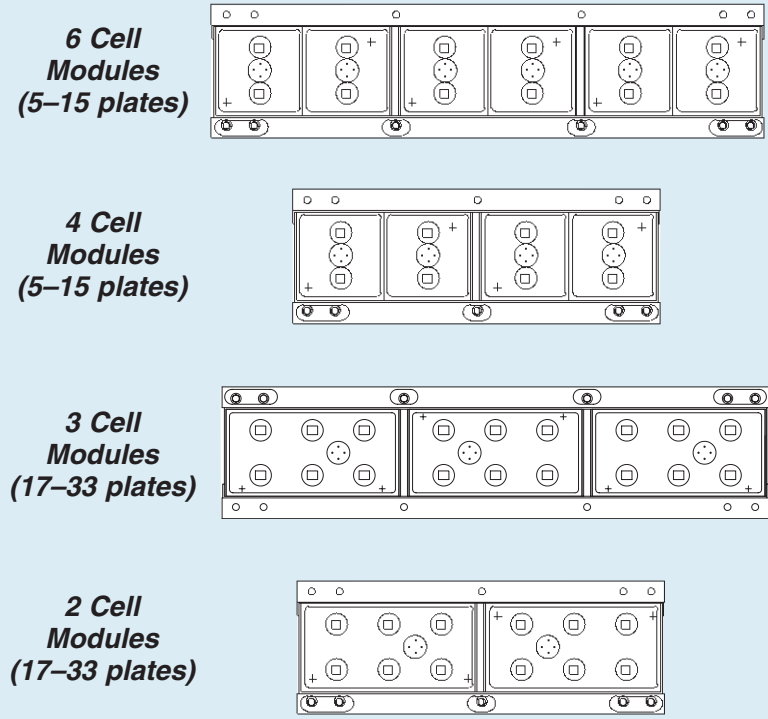
- 24- and 48-volt for Telecommunications
- 120-, 240-, and 480-volt for UPS and Switchgear Control

# FEATURES AND BENEFITS

- Reengineered **AIR GAP** between cells reduces footprint while maintaining required cooling
- **FRONT SHIELD** design allows for quicker assembly without tools
- **TWO-WAY POST** design allows for easier connector installation
- **MICROCAT™ VENT** improves high temperature performance (standard on 95 and 125 models only)
- **TWO-PIECE BASE** (Non-Interlock) meets UBC 97 Zone 2B top of building requirements – Zone 4 to 8 modules high on ground level
- **ONE-PIECE BASE** meets UBC 97 (*Interlock™* only) Zone 4 top of building requirements – certified to 8 modules high, top of building

- **AVR95 CELL** delivers up to 28% more power in the same space compared to larger competitor models while maintaining a 20-year design life
- Patented design (**INTERLOCK™ MODULE** only) allows for front access bolting – rear bolting is eliminated
- New 48-volt AVR95-33 is reduced by 3.5" in height and 6" in width compared to previous Unigy offering
- AVR95-33 is rated at 1520 A.H. at the 8 hour rate, to 1.75 volts per cell (vpc)
- All plates are individually formed using exclusive **IPF™ TECHNOLOGY** allowing systems to be shipped at 100% rated capacity.

EPM Unigy II products are designed to meet the requirements of IEC 60896-21/22, BS 6290 and SR-4228.





## NON-INTERLOCK & INTERLOCK™ MODULES

# SPACESAVER™ SYSTEMS

### PRODUCT INFORMATION

#### Module/Cell

**Configurations:** All Unigy II cells are inserted into the modules in a **STANDARDIZED DROPPING PATTERN** for easier system installation.

**Container Material:** **FLAME RETARDANT POLYPROPYLENE** – This material is a V-0 halogenated polypropylene. This material has an LOI (Limiting Oxygen Index) of greater than or equal to 28%.

**Termination:** **TOP OR SIDE TERMINATION** is available as a standard feature at no additional cost.

**Module Size:** Numerous module sizes are available:

#### Interlock™ and Non-Interlock:

- 6-cell module for 5 to 15 plate cells
- 3-cell module for 17 to 33 plate cells

#### Interlock™ (only):

- 4-cell module for 5 to 15 plate cells
- 2-cell module for 17 to 33 plate cells

These options offer more choices in configuring the right battery system, provides more flexibility when selecting configurations, and saves premium space while providing optimal power.

**Maximum Modules:** Modules can be stacked up to eight modules high.

**Connector Package:** Standard 1CU connector package meets discharge rates as low as the two hour rate to 1.75 vpc. Optional packages are available to provide the proper hardware for higher rate applications.

**Base Support:** See information on inside right page of this brochure.

### OPTIONAL ACCESSORIES

- **Top Mounting Plates for Electronics** – used to bolt electronics on top of battery/system.
- **System Current Shunt Kit** – a device used to test/monitor the condition of the battery.
- **High Voltage Buss Bar Kit** – permits multiple battery strings to be connected for easy distribution to system connections.
- **Floor Loading Plates** – distributes system weight evenly.



**48-volt Deka Unigy II  
AVR95 INTERLOCK™ System**

**"POWERED FOR PERFORMANCE"™**

**EAST PENN manufacturing co., inc.**

Lyon Station, PA 19536-0147 • Phone: 610-682-6361 • Fax: 610-682-4781

**Order Department Hotline: 610-682-3263**

www.eastpennunigy.com • e-mail: sales@eastpennunigy.com

E.P.M. Form No. 0975 Rev. 3/11 © 2011 by EPM Printed in U.S.A.

DISTRIBUTED BY:

**Soligent**

YOUR MK BATTERY DISTRIBUTOR  
SOLIGENT  
800-967-6917  
www.soligent.net

All data subject to change without notice.  
No part of this document may be copied or reproduced, electronically or mechanically, without written permission from the company.